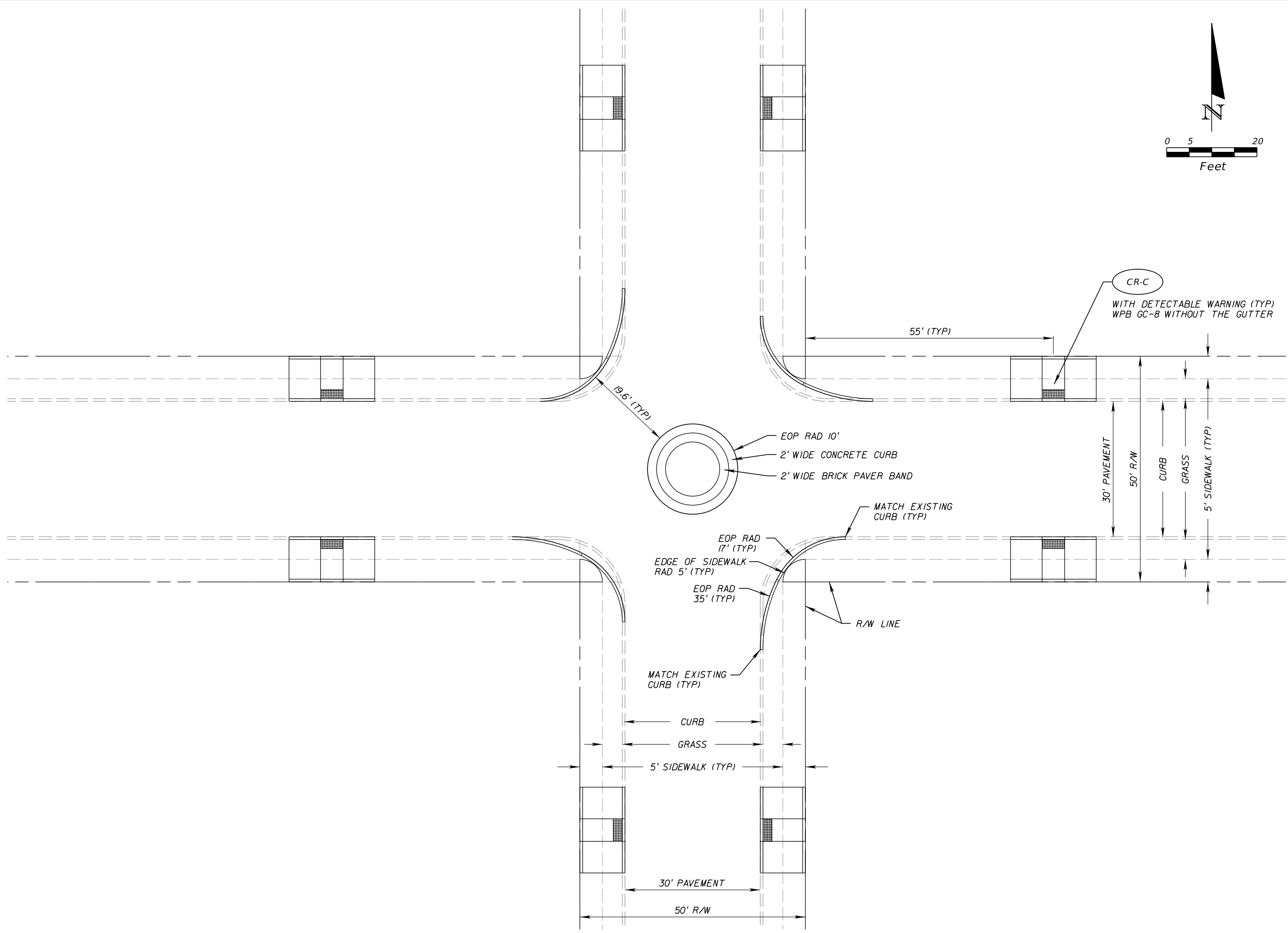
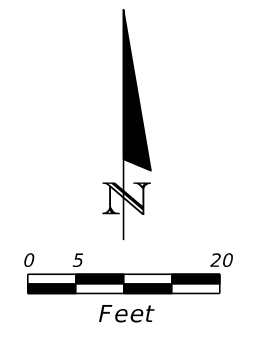




CITY OF WEST PALM BEACH
 *
ENGINEERING SERVICES DEPARTMENT

401 CLEMATIS ST.
 WPB, FL 33401
 PH: (561) 494-1040
 FAX: (561) 494-1116



| NO. | DATE | BY | DESCRIPTION |
|-----|------|----|-------------|
| | | | |
| | | | |
| | | | |
| | | | |
| | | | |

| | |
|-----------------|---------------------|
| SCALE: 1" = 40' | DESIGNED BY: OEE/RT |
| SEAL: | DRAWN BY: OEE |
| | CHECKED BY: RTE |
| | DATE: AUGUST 2015 |
| | CAD FILE: \$FILES\$ |

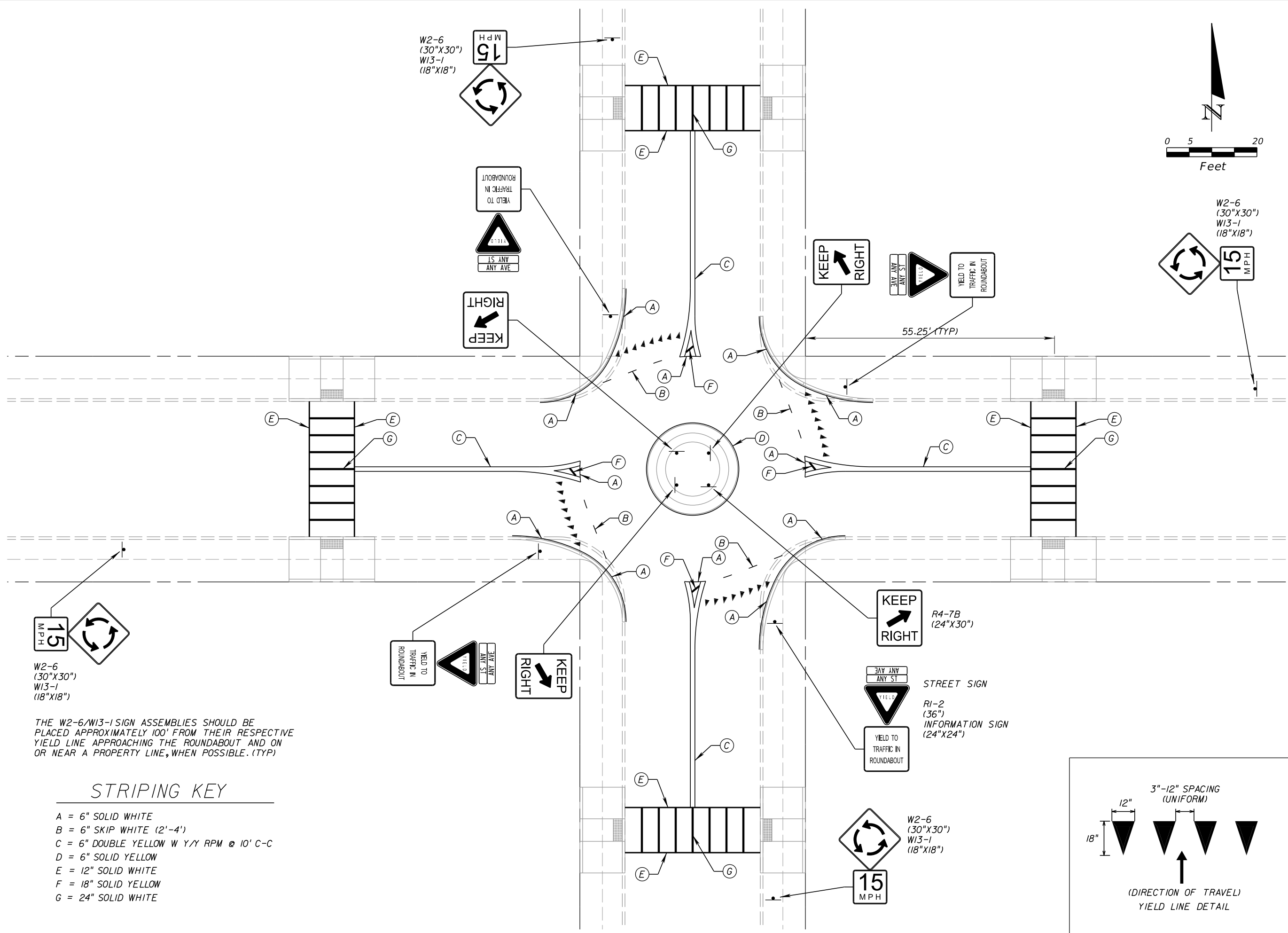
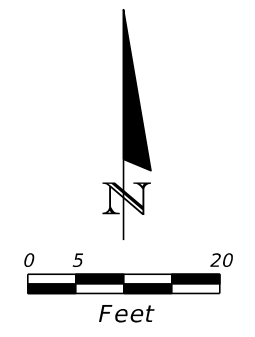
**ROUNDABOUT TYPICAL
 ROADWAY AND SIDEWALK
 50' RIGHT-OF-WAY
 WEST PALM BEACH, FLORIDA**

PROJECT NO. MI10741.13_5



CITY OF WEST PALM BEACH
 *
ENGINEERING SERVICES DEPARTMENT

401 CLEMATIS ST.
 WPB, FL 33401
 PH: (561) 494-1040
 FAX: (561) 494-1116

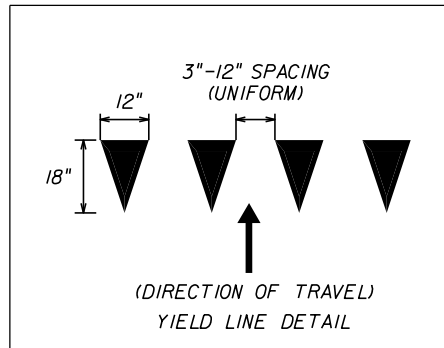


W2-6
 (30"X30")
 W13-1
 (18"X18")

THE W2-6/W13-1 SIGN ASSEMBLIES SHOULD BE PLACED APPROXIMATELY 100' FROM THEIR RESPECTIVE YIELD LINE APPROACHING THE ROUNDABOUT AND ON OR NEAR A PROPERTY LINE, WHEN POSSIBLE. (TYP)

STRIPING KEY

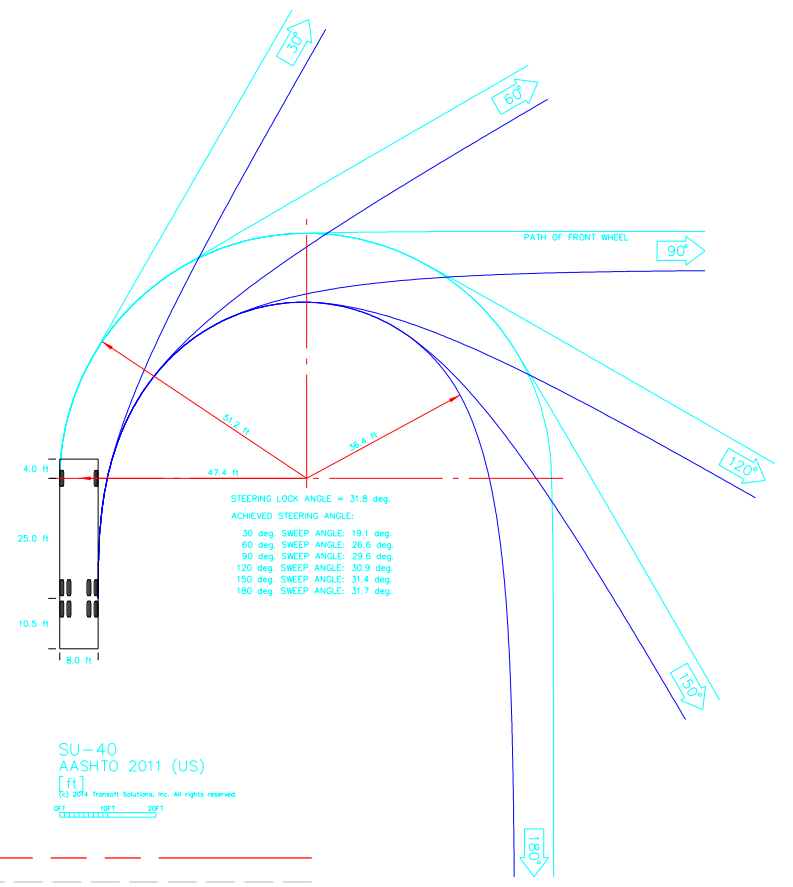
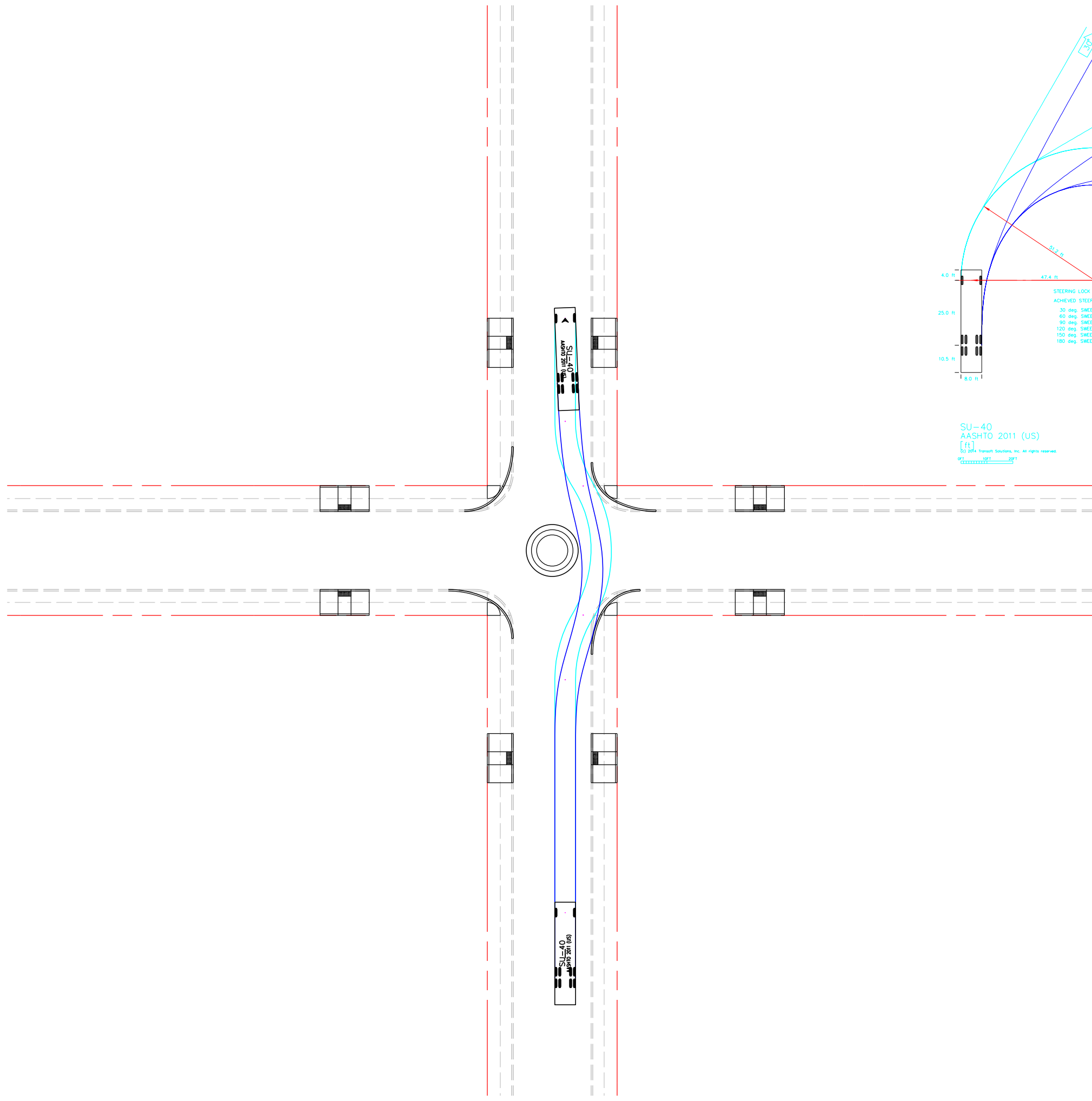
- A = 6" SOLID WHITE
- B = 6" SKIP WHITE (2'-4')
- C = 6" DOUBLE YELLOW W Y/Y RPM @ 10' C-C
- D = 6" SOLID YELLOW
- E = 12" SOLID WHITE
- F = 18" SOLID YELLOW
- G = 24" SOLID WHITE

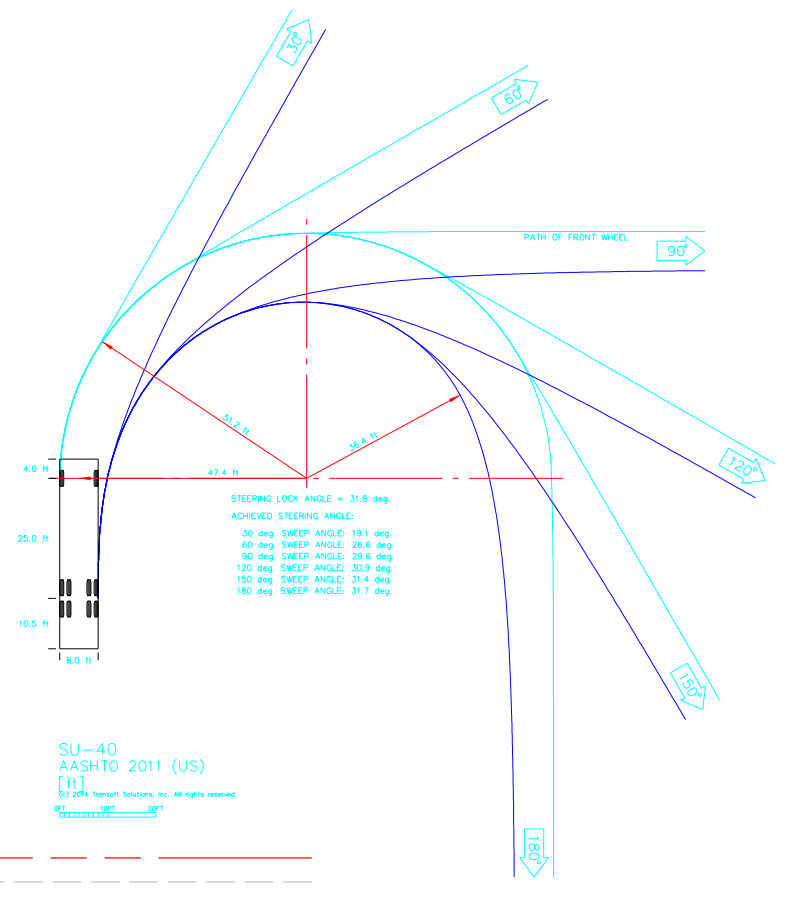
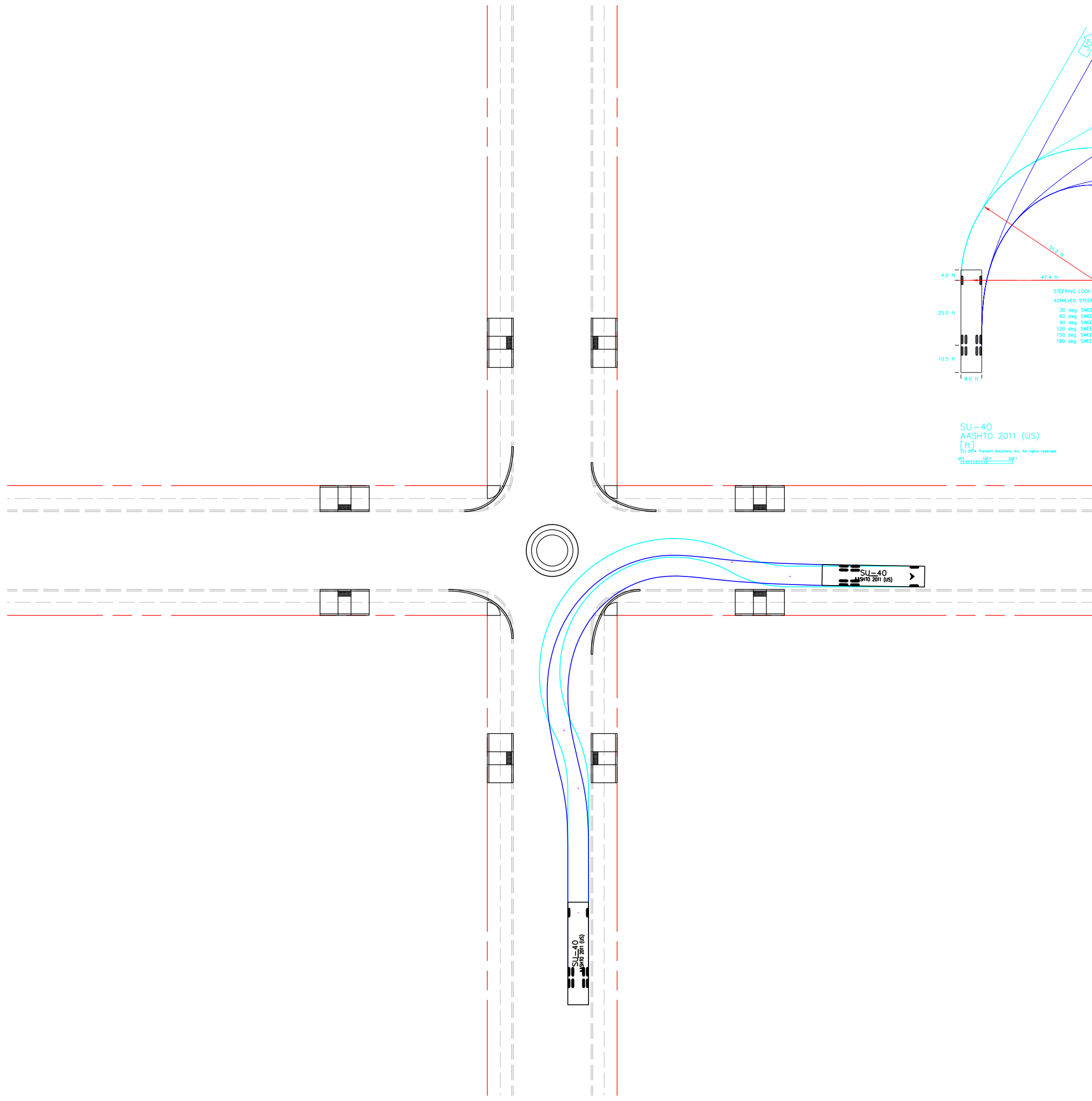


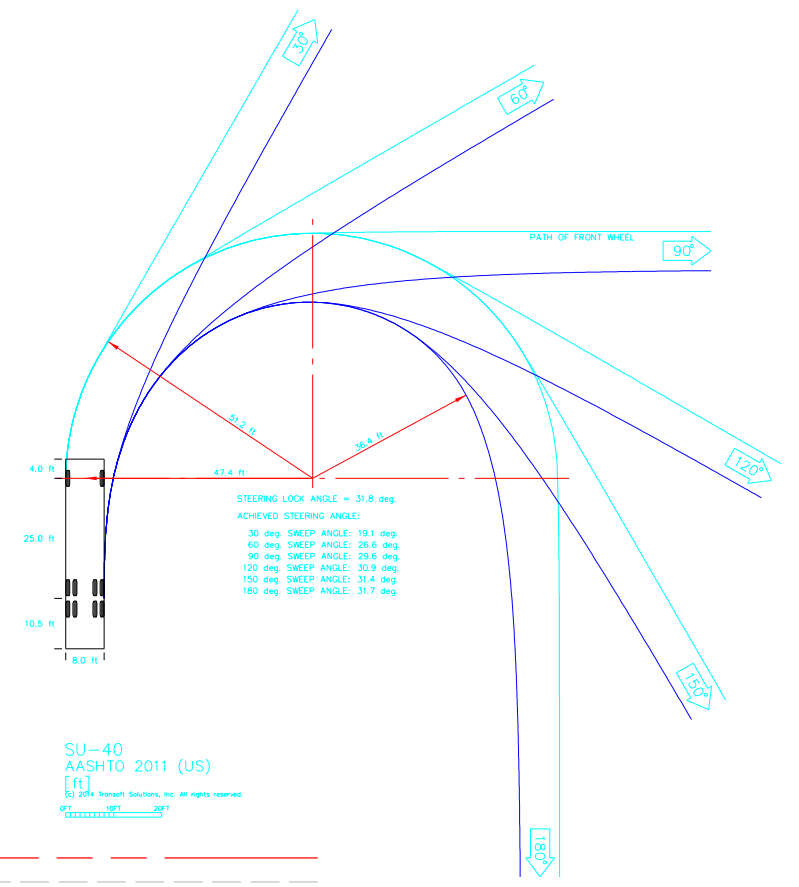
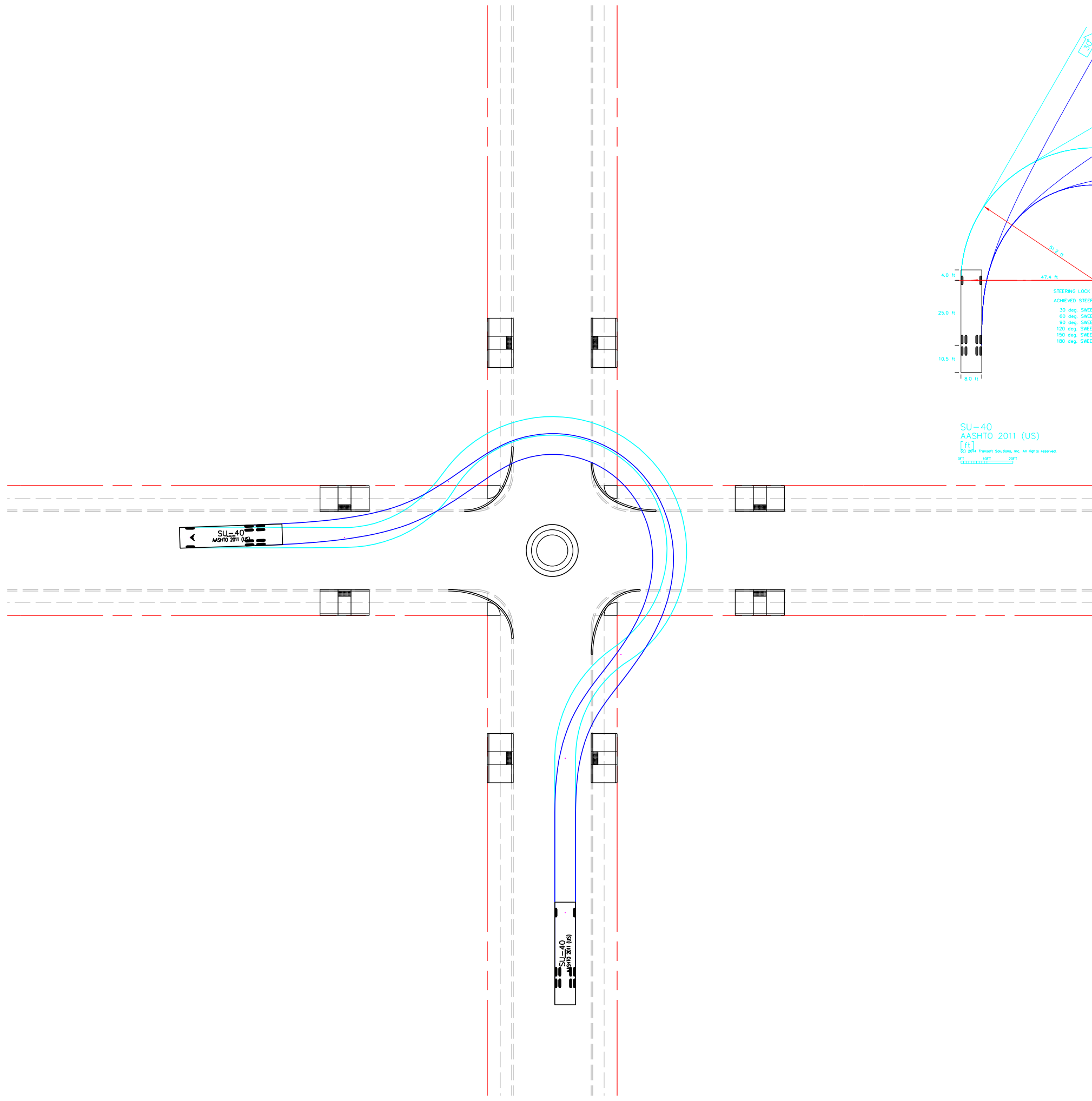
| NO. | DATE | BY | DESCRIPTION |
|-----|------|----|-------------|
| | | | |
| | | | |
| | | | |
| | | | |

| | |
|-----------------|---------------------|
| SCALE: 1" = 40' | DESIGNED BY: OEE/RT |
| | DRAWN BY: OEE |
| | CHECKED BY: RTE |
| | DATE: AUGUST 2015 |
| | CAD FILE: SFILES |

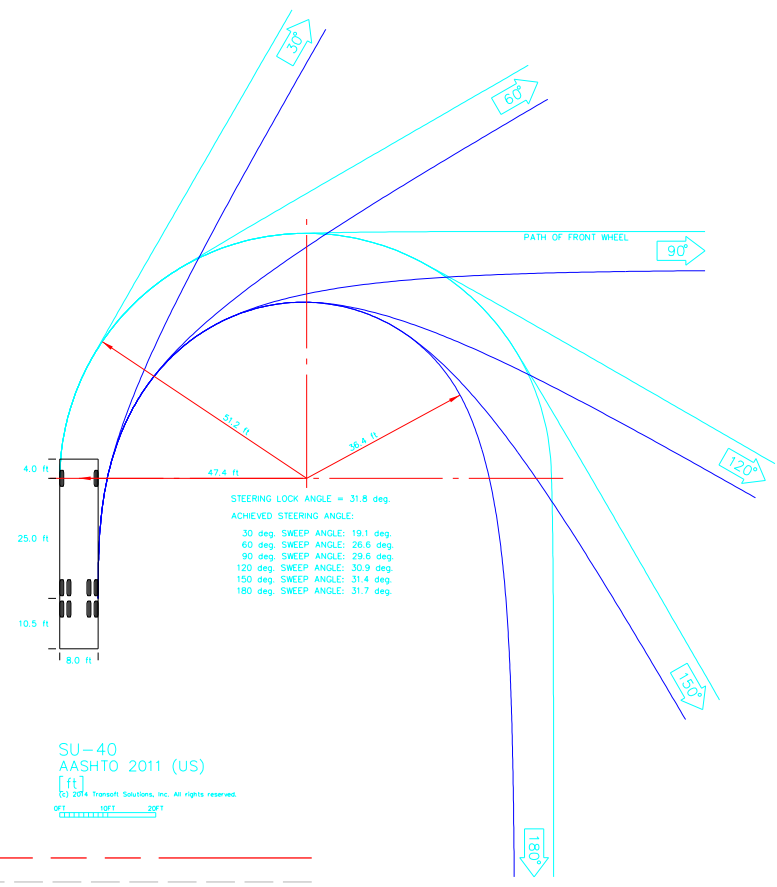
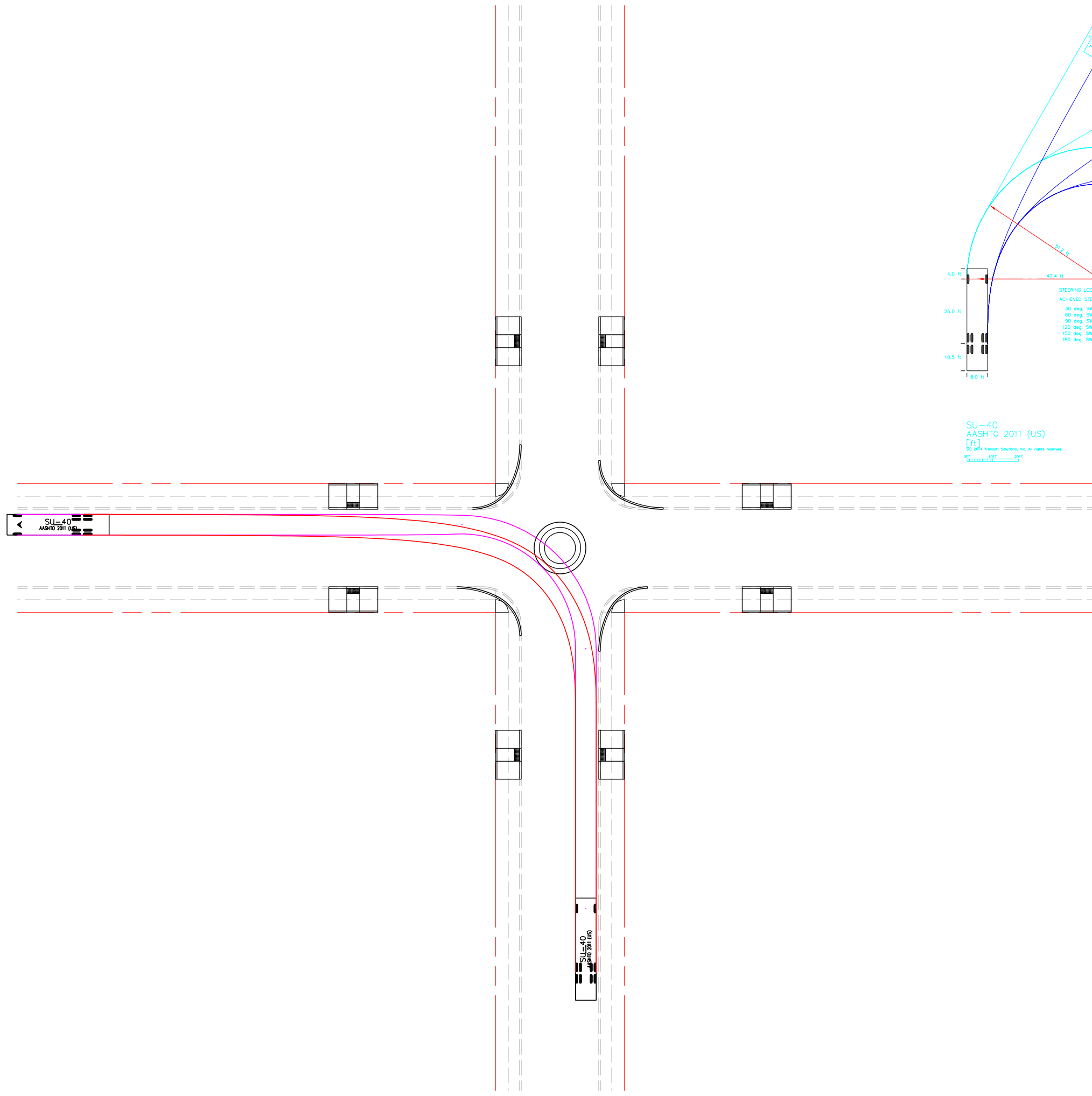
ROUNDABOUT TYPICAL SIGNING & MARKING
 50' RIGHT-OF-WAY
 WEST PALM BEACH, FLORIDA
 PROJECT NO. MI0741.13_5







SU-40
 AASHTO 2011 (US)
 (ft)
 © 2014 Transoft Solutions, Inc. All rights reserved.
 081 081 201



SU-40
 AASHTO 2011 (US)
 (ft)
 © 2014 Transoft Solutions, Inc. All rights reserved.
 0 10 20

SU-40
 AASHTO 2011 (US)

SU-40
 AASHTO 2011 (US)

